

*Magnetically Coupled Linear Servo-Drive Mechanism*  
Inventors: Thomas M. Pratt, et al.  
Serial #: 09/887,202

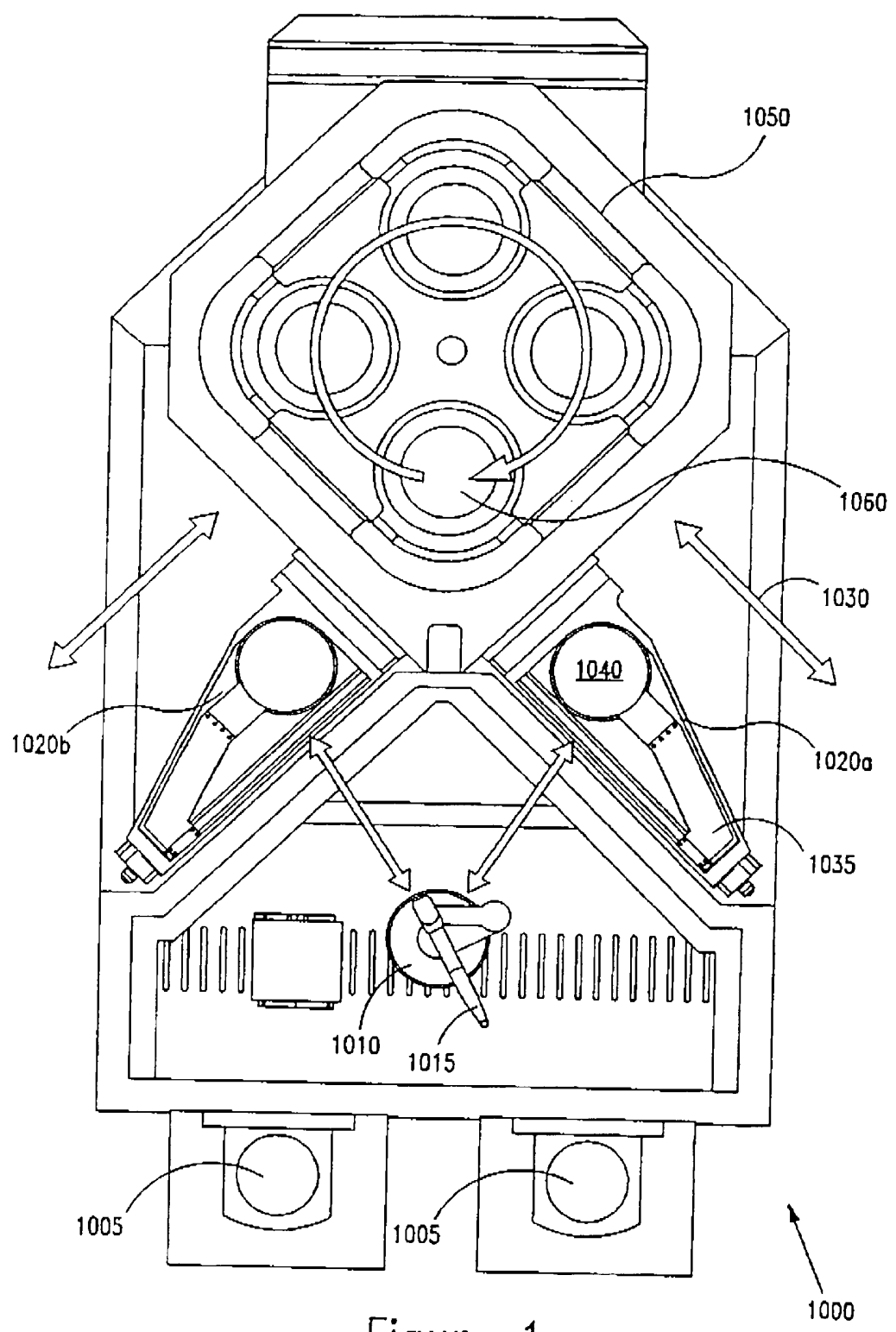


Figure 1

*Magnetically Coupled Linear Servo-Drive Mechanism*  
Inventors: Thomas M. Pratt, et al.  
Serial #: 09/887,202

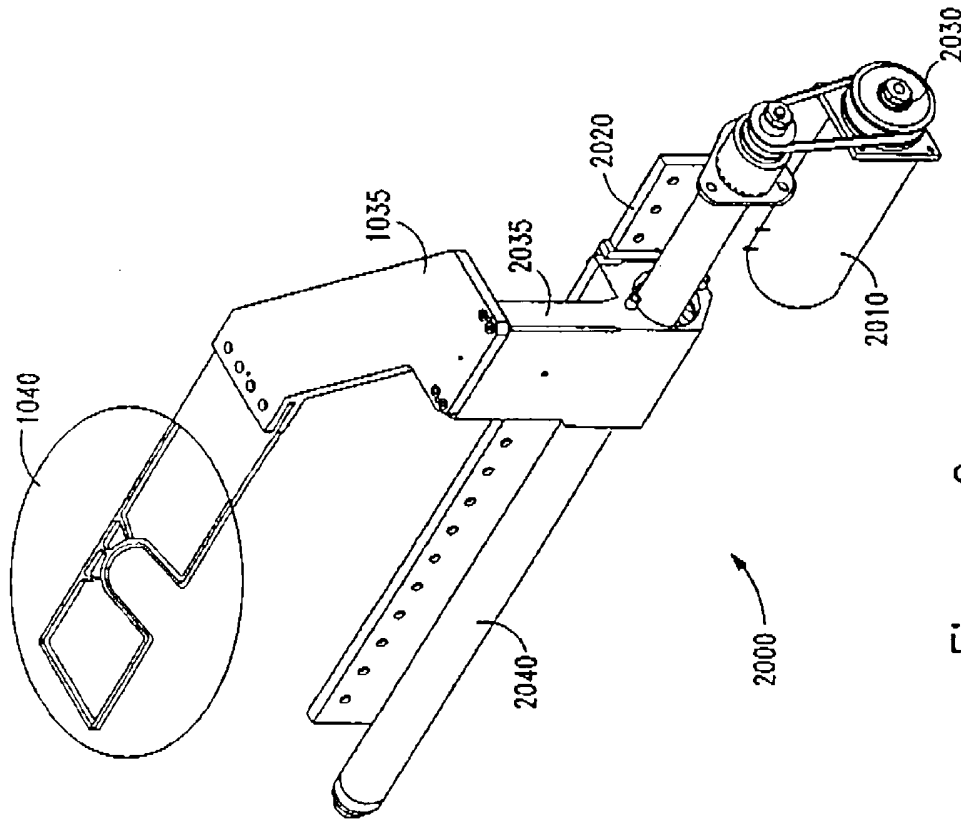


Figure 2

*Magnetically Coupled Linear Servo-Drive Mechanism*  
Inventors: Thomas M. Pratt, et al.  
Serial #: 09/887,202

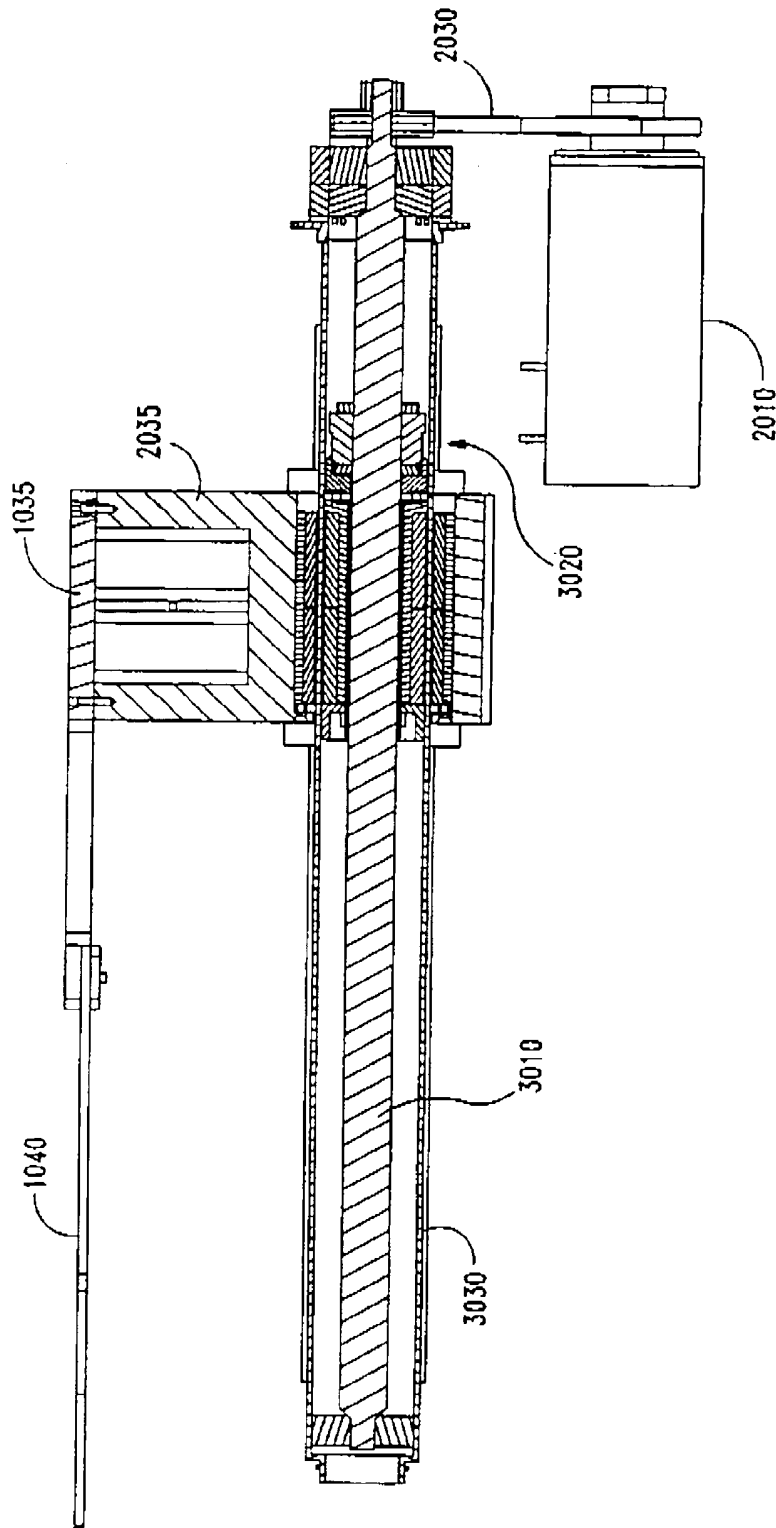


Figure 3

*Magnetically Coupled Linear Servo-Drive Mechanism*  
Inventors: Thomas M. Pratt, et al.  
Serial #: 09/887,202

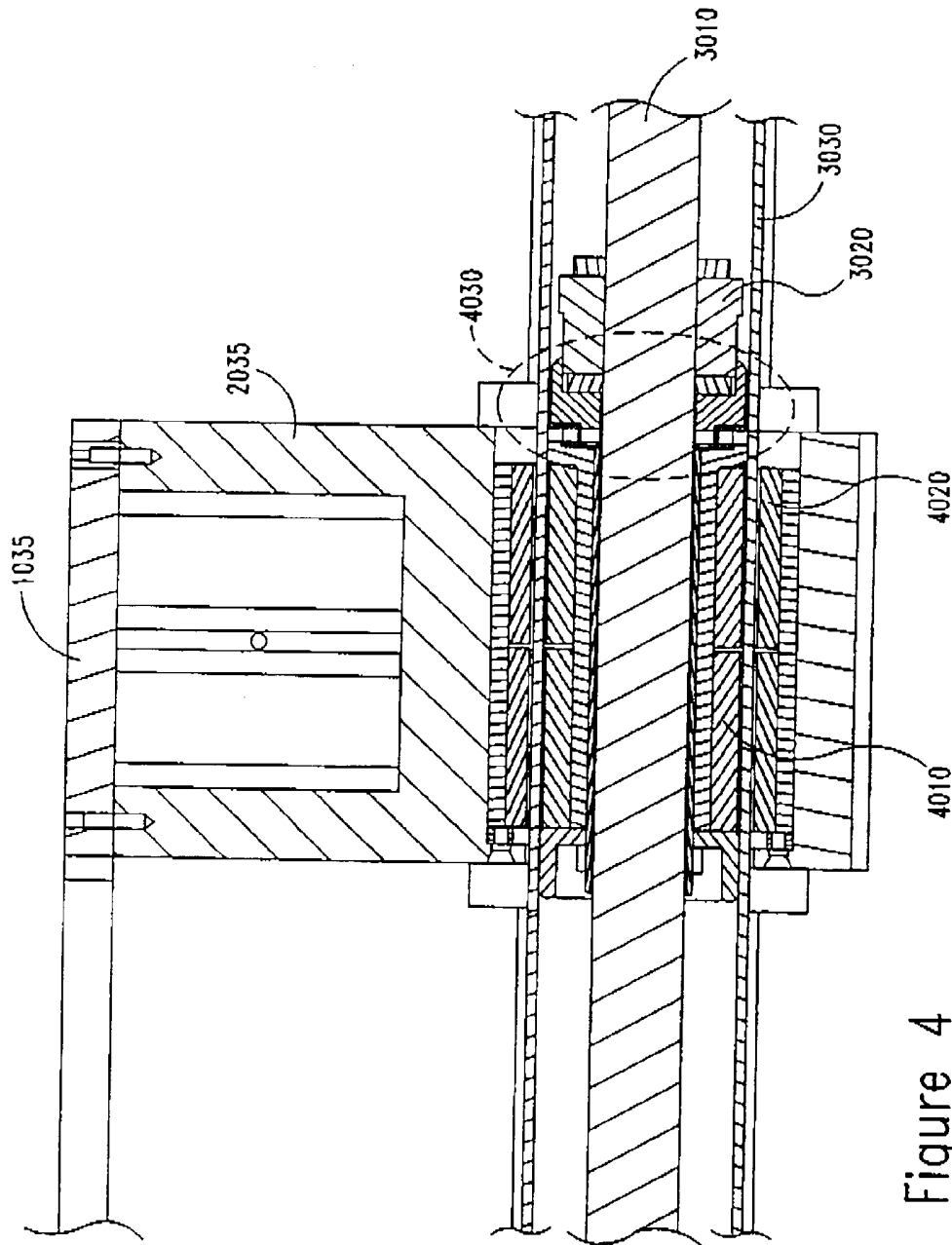


Figure 4

*Magnetically Coupled Linear Servo-Drive Mechanism*  
Inventors: Thomas M. Pratt, et al.  
Serial #: 09/887,202

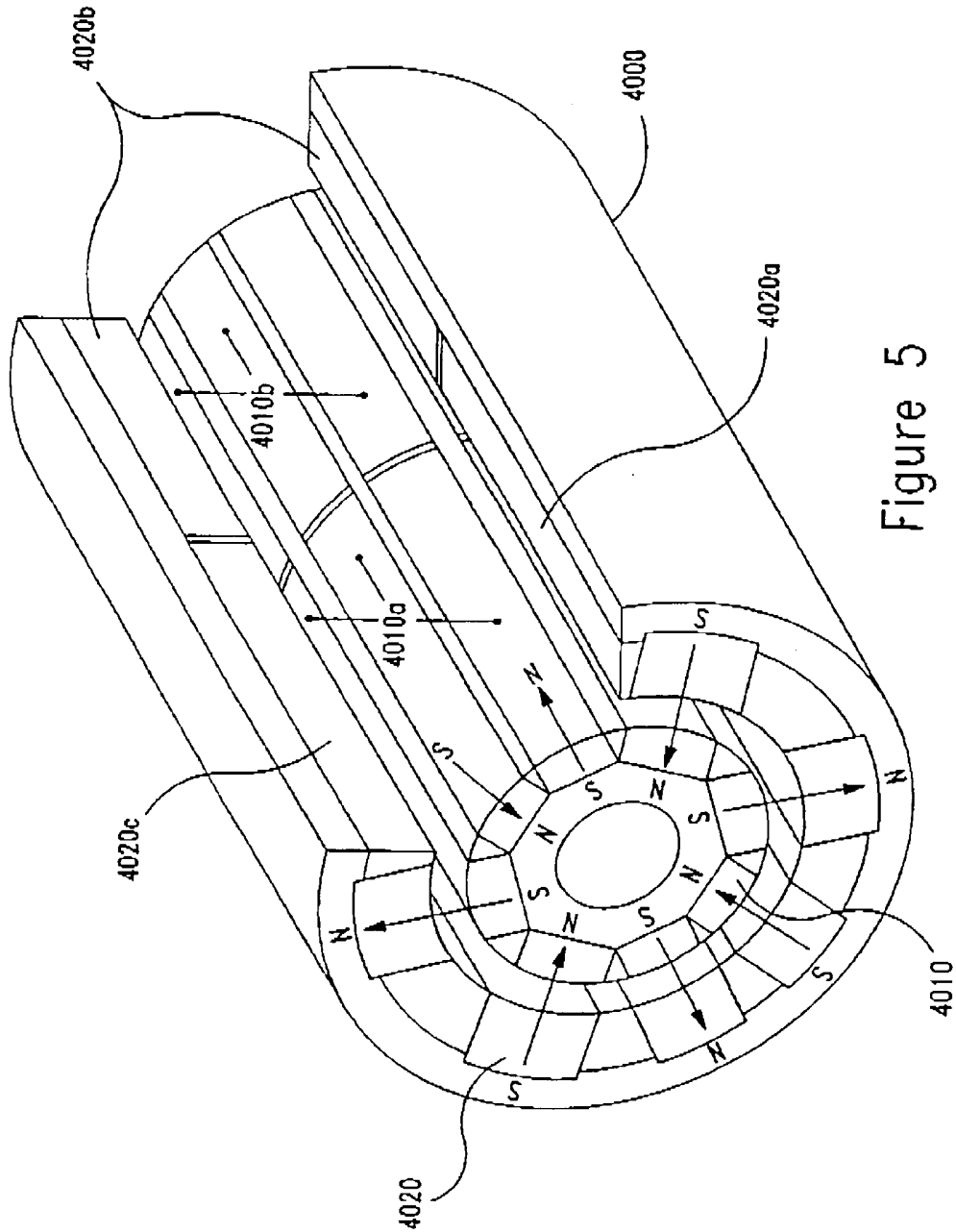


Figure 5

*Magnetically Coupled Linear Servo-Drive Mechanism*  
Inventors: Thomas M. Pratt, et al.  
Serial #: 09/887,202

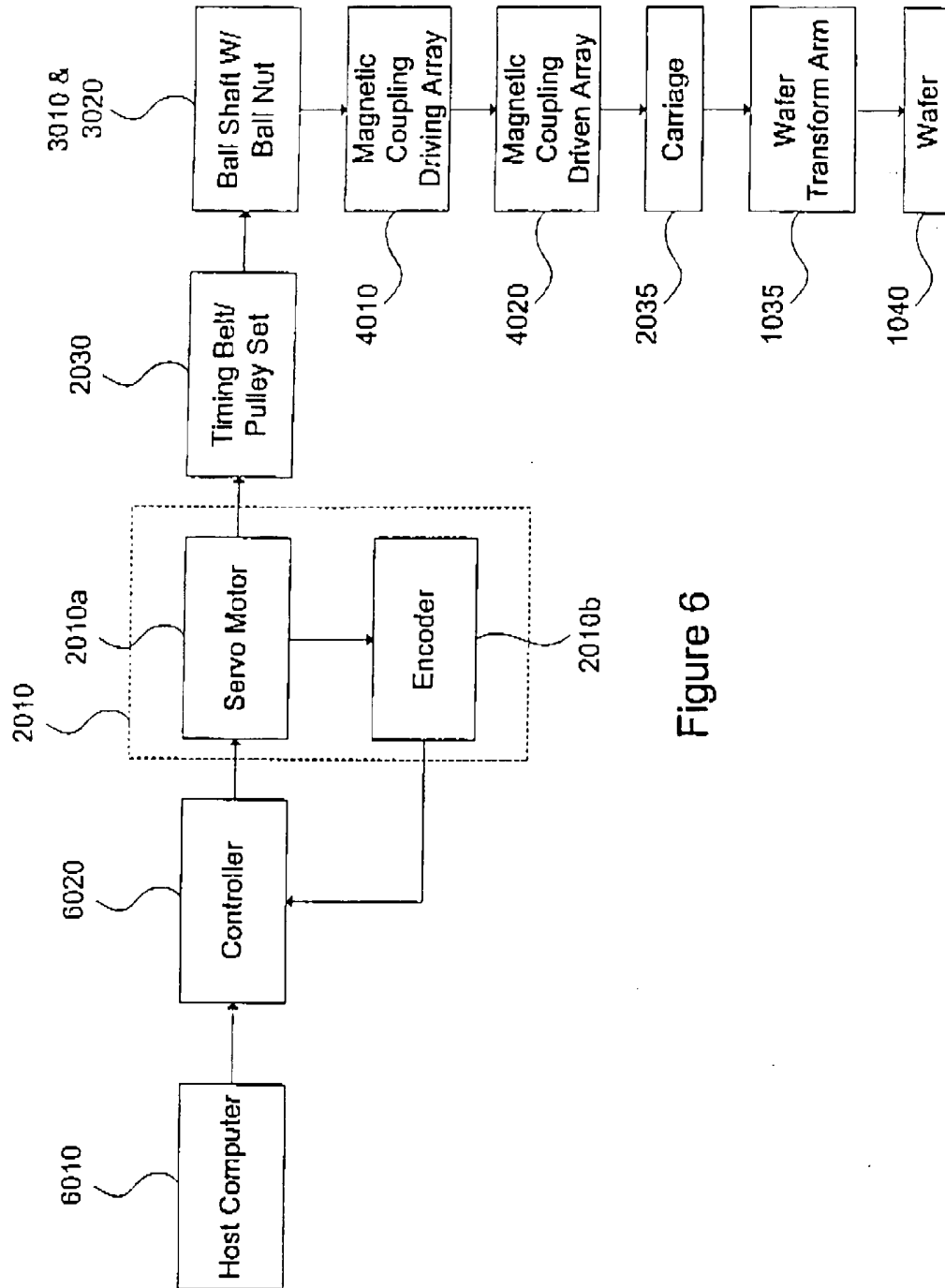


Figure 6

*Magnetically Coupled Linear Servo-Drive Mechanism*

Inventors: Thomas M. Pratt, et al.

Serial #: 09/887,202

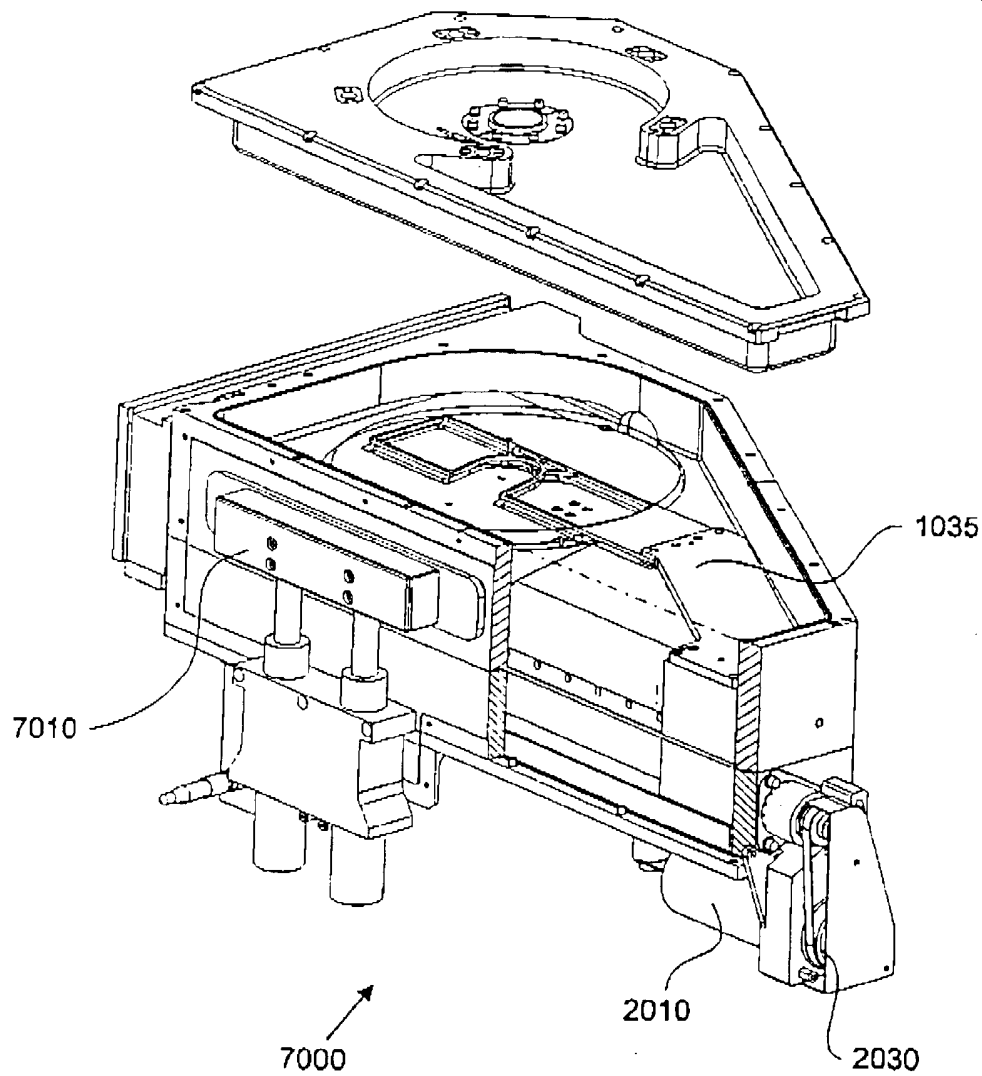


Figure 7